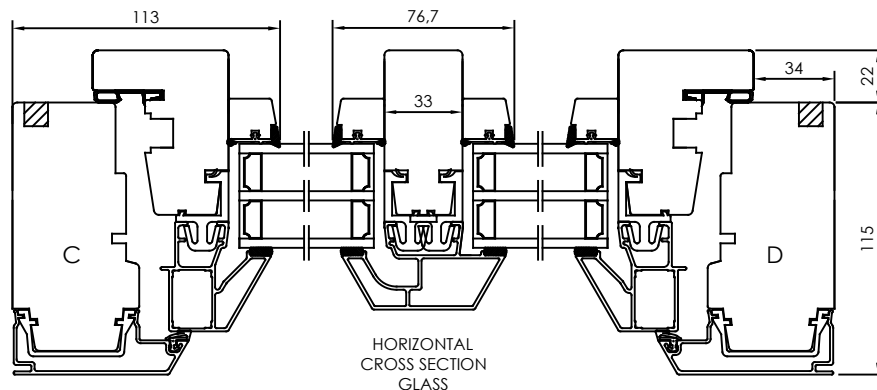


HORIZONTAL CS OPTION
- Two horizontal abutting sashes.

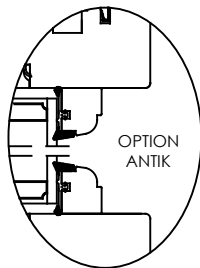
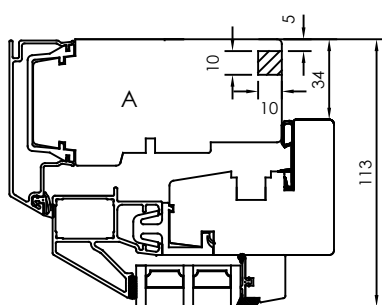
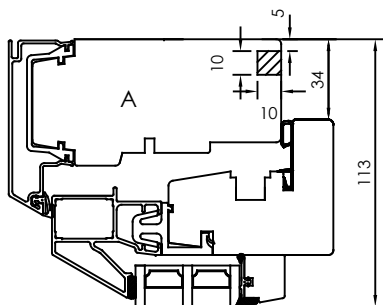
VARIANT, FITTINGS
- Exterior hinges.
- Exterior tilt before turn hinges (kippp-dreh).
- Internal hidden tilt before turn hinges (kippp-dreh).



HORIZONTAL CROSS SECTION GLASS

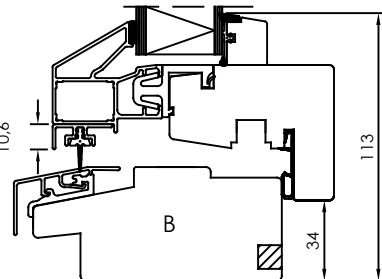
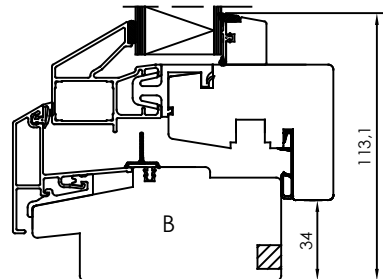
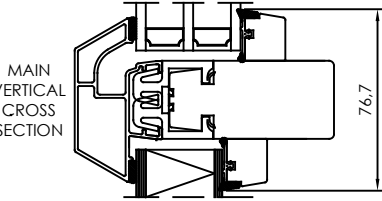
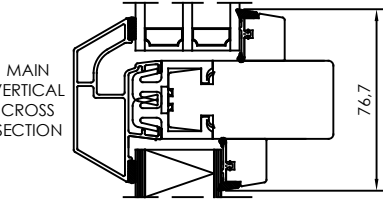
ALL AROUND OPTION
- Internal slot (not for exterior kipp-dreh).

ALL AROUND OPTION
- Internal slot (not for exterior kipp-dreh).

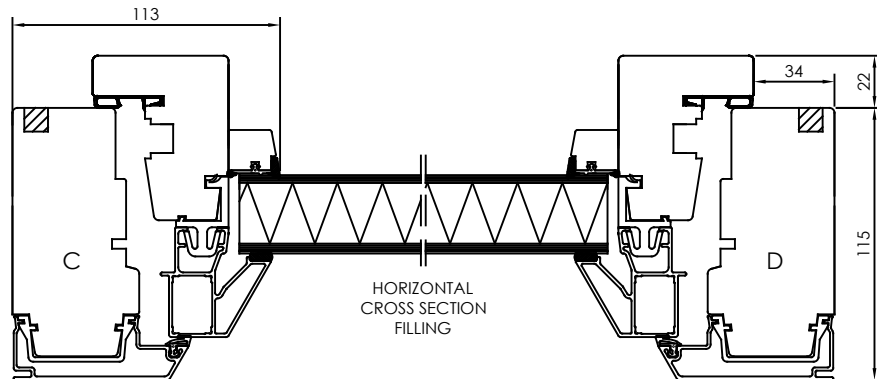
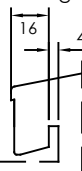


MAIN VERTICAL CROSS SECTION

MAIN VERTICAL CROSS SECTION

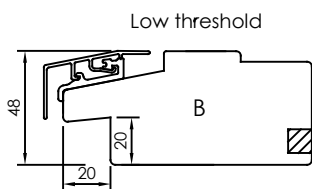
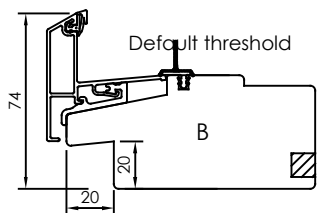


VERTICAL CS OPTION
- Norwegian nose.



HORIZONTAL CROSS SECTION FILLING

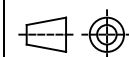
CS = CROSS SECTION



Item	No.	Description	Drawingnumber	Articlenumber
Revision notification			Revised by	Revised date
AM40-20161109TE			TE	2016-11-30
Revision description		Glasningslister trä/gummi utbytta		
Description			Created by	Created date
Patio door, Inward opening, 3-glass.			AP	2015-06-16
Material		General tolerance acc. to ISO2768-1		Processing code
		ISO 2768-1 m		
Included in product		Included in product family		Article number
Inward		Side Hung		



Draw view



Scale

1:2

Size

A3

Drawing number

40-37-W43 E

Revision no.

C